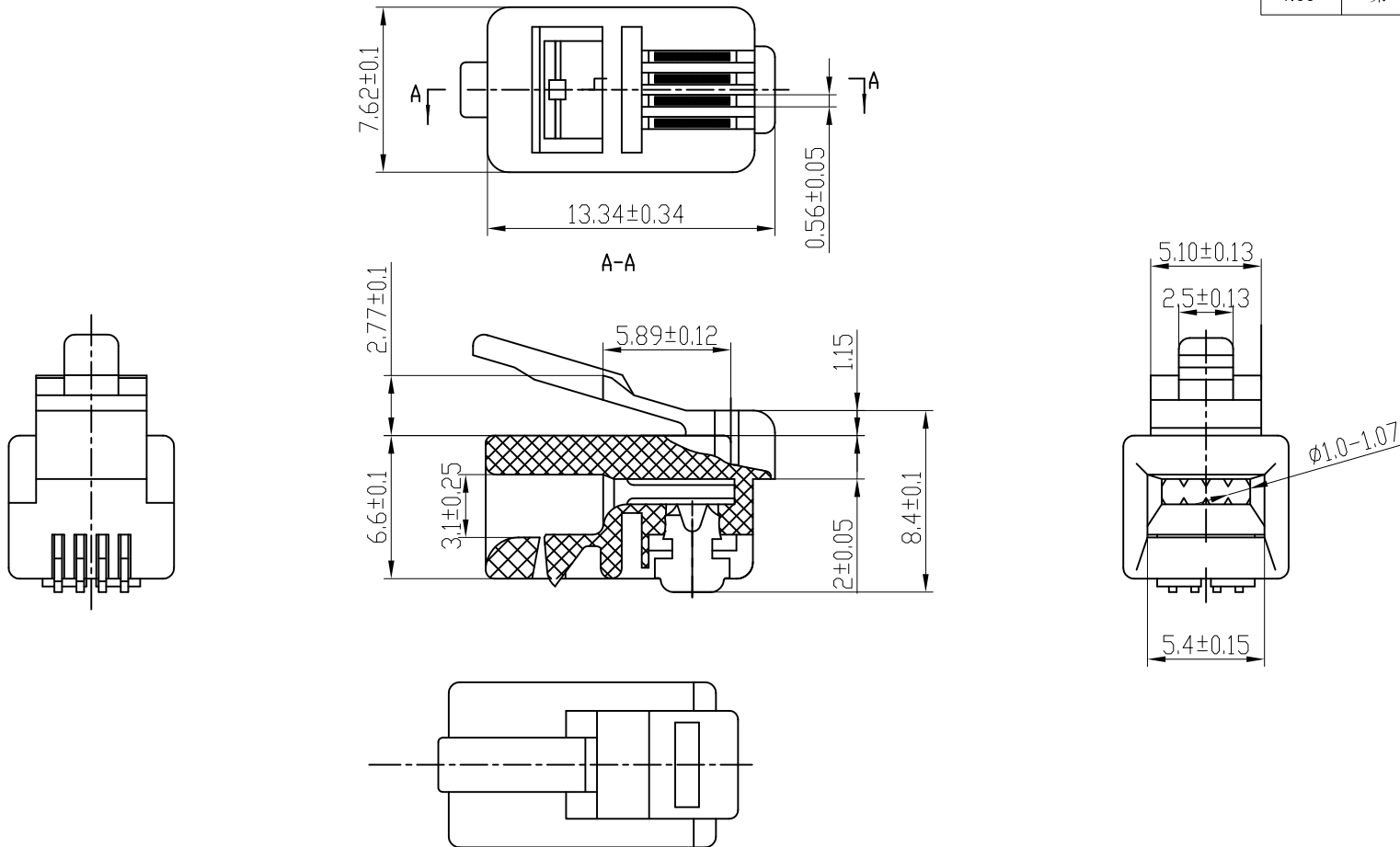


REV.	ECN NO.	DATE
1.00	第一次制订	2010.07.02

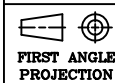


Specification

1. Insulation Resistance: 1000 Megohms min.
2. Withstand Voltage: 1000V, AC/minute.
3. Durability: 1000 mating circles min.
4. 36V AC max at 2.5 amps.

RoHS Compliant

© 库乐科技



A4
SIZE

SCALE
1:1

UNIT
mm

CUSTOMER:
MODEL NO:

TOLERANCES

0~15: ± 0.15
15~30: ± 0.20
30~ : ± 0.25
ANGLES: $\pm 1^\circ$

MATERIAL: 见明细表

FINISH: 见明细表

SHEET 1 OF 1

Designed:

Checked:

Approved:

NAME: PLUG 4P4C G/F -F

DWG NO: CLP4401

PART NO: RJ11-44GF-P002

REV.

1.00